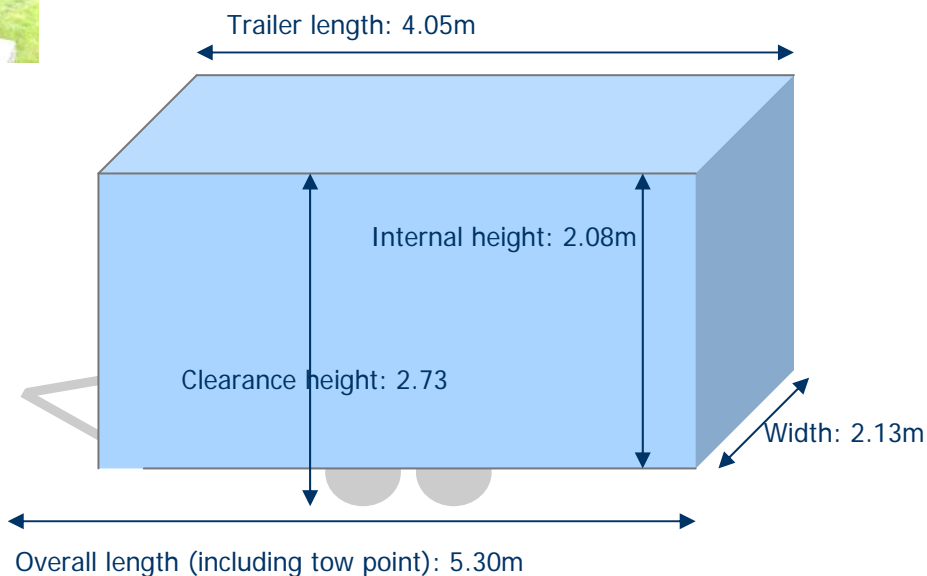


TRAILER T51 — IMAGES AND DIMENSIONS



- 4m twin axle box trailer
- Hydraulic canopy
- Wing panel doors
- Fold-in steps
- Flexible space with option of free standing seating available eg bistro style aluminium tables and chairs
- Charcoal grey carpet
- Spotlights and two double electric sockets
- Pitch size required (approx): 5.9m x 4.0m



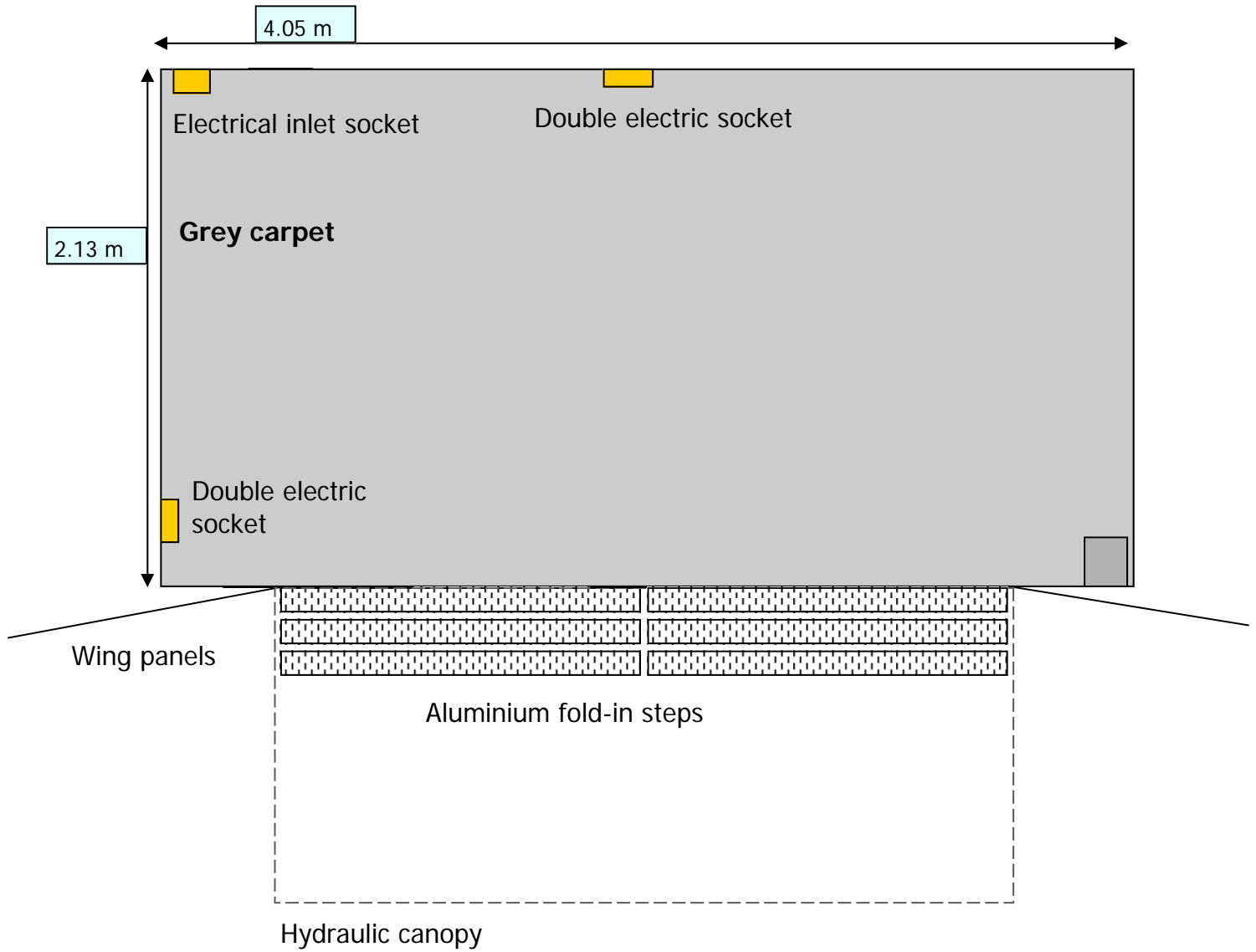
EXHIBITION & MERCHANDISING TRAILERS

t: 01543 255452

e: Lindsey@tcmtrailers.co.uk

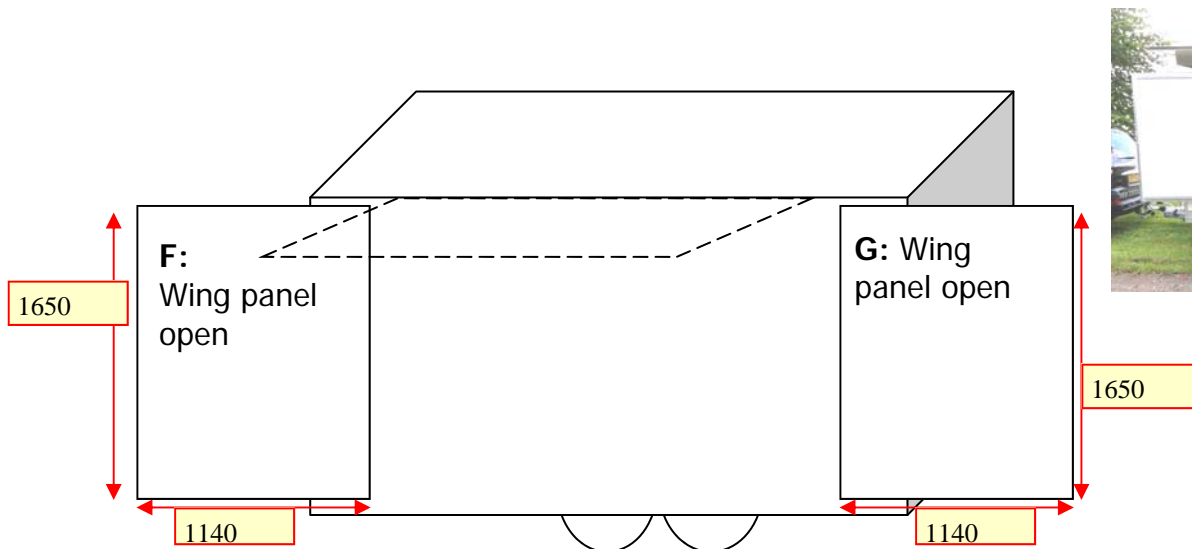
w: www.tcmtrailers.co.uk

T51 FLOOR PLAN



PANEL SIZES FOR GRAPHICS

- All measurements are in millimetres
- Only the white GRP panels are measured, not the aluminium trim



EXHIBITION & MERCHANDISING TRAILERS

t: 01543 255452

e: Lindsey@cmtrailers.co.uk

w: www.tcmtrailers.co.uk